



Kitchen - Tara Ultra
Profi single-lever mixer - polished chrome
Article number: 33 860 875-00 0010

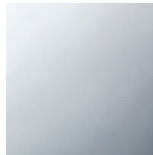


- 9-1/2" Projection
- Swiveling 360°
- Aerated stream and spray mode
- Total height 27"
- Height to aerator/spout outlet 5-1/8"
- 1-3/8" hole diameter
- 2x 3/8" US flexible supply lines
- Sprayface with descaling system
- Water flow rate limited to max. 1.5 gpm
- lead-free

Codes & Standards

- NSF/ANSI 372
- California Energy Commission (CEC)
- ASME A112.18.1/CSA B125.1
- NSF/ANSI/CAN 61
- ADA

- (ADA)
- Internal backflow preventer.
- Switch back and forth between aerator and spray mode while water is running.

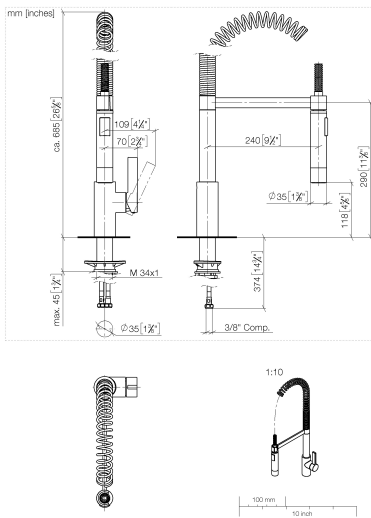


polished chrome



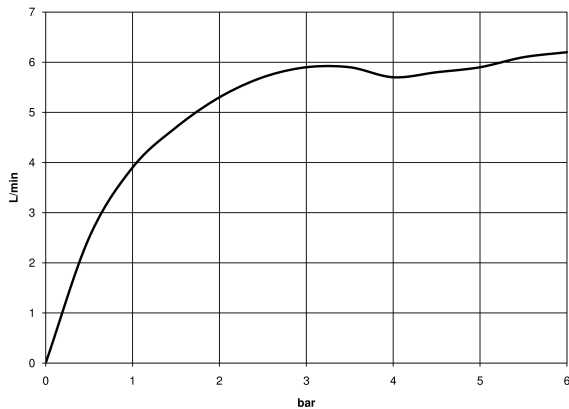
Kitchen - Tara Ultra
Profi single-lever mixer - polished chrome
Article number: 33 860 875-00 0010

Dimensional drawing



All dimensions in mm / inch = mm x 0,0394

Flow rate chart





Kitchen - Tara Ultra
Profi single-lever mixer - polished chrome
Article number: 33 860 875-00 0010

Other surface finishes



platinum matte
33 860 875-06 0010



platinum
33 860 875-08 0010

More custom finish options are available via special production (xTra Service). Please see our finish matrix for availability and pricing or contact a Dornbracht representative.



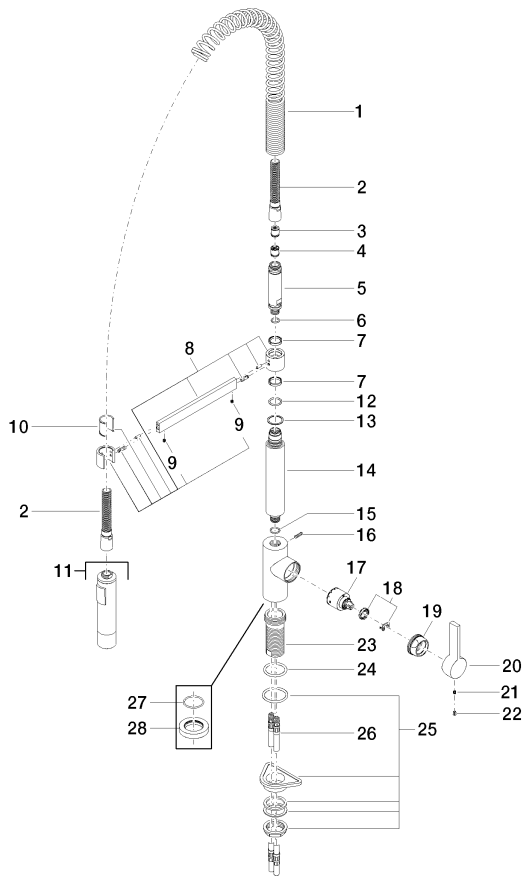
10 713 970-00
AIR SWITCH operating
button, trim parts only -
polished chrome



82 424 970-00
Soap dispenser without
flange - polished chrome

Kitchen - Tara Ultra
 Profi single-lever mixer - polished chrome
 Article number: 33 860 875-00 0010

Spare parts list



| Number | Item Number | Designation | Number of units |
|--------|--------------------|---------------------------|-----------------|
| 1 | 09 16 02 035 90 | spring | 1 |
| 2 | 09 30 02 065-00 | hose | 1 |
| 3 | 09 23 01 046 90 | back-flow preventer | 1 |
| 4 | 09 23 01 040 90 | back-flow preventer | 1 |
| 5 | 09 30 01 067 10-00 | adaptor | 1 |
| 6 | 09 14 10 077 90 | seal | 1 |
| 7 | 09 14 15 024 90 | ring | 2 |
| 8 | 04 17 20 029 00-00 | holder | 1 |
| 9 | 04 31 11 112 00 90 | pin | 2 |
| 10 | 09 18 40 118 90 | sleeve | 1 |
| 11 | 04 12 11 092 10-00 | shower | 1 |
| 12 | 09 14 10 100 90 | seal | 1 |
| 13 | 09 28 10 122 90 | ring | 1 |
| 14 | 09 11 10 072 10-00 | connection | 1 |
| 15 | 04 31 11 113 00 90 | pin | 1 |
| 16 | 09 14 10 055 90 | seal | 1 |
| 17 | 90 15 05 061 00 90 | cartridge | 1 |
| 18 | 04 28 10 148 00 90 | accessories | 1 |
| 19 | 09 24 04 107-00 | nut | 1 |
| 20 | 09 20 79 040-00 | handle | 1 |
| 21 | 09 31 11 030 90 | pin | 1 |
| 22 | 09 31 20 017 90 | plug | 1 |
| 23 | 09 30 01 111 20 90 | sleeve | 1 |
| 24 | 09 14 10 036 90 | seal | 1 |
| 25 | 04 23 10 044 02 90 | fixing set | 1 |
| 26 | 04 30 04 045 00 90 | Flexible supply line 3/8" | 2 |
| 27 | 09 14 10 149 90 | seal | 1 |
| 28 | 09 28 10 035-00 | rosette | 1 |